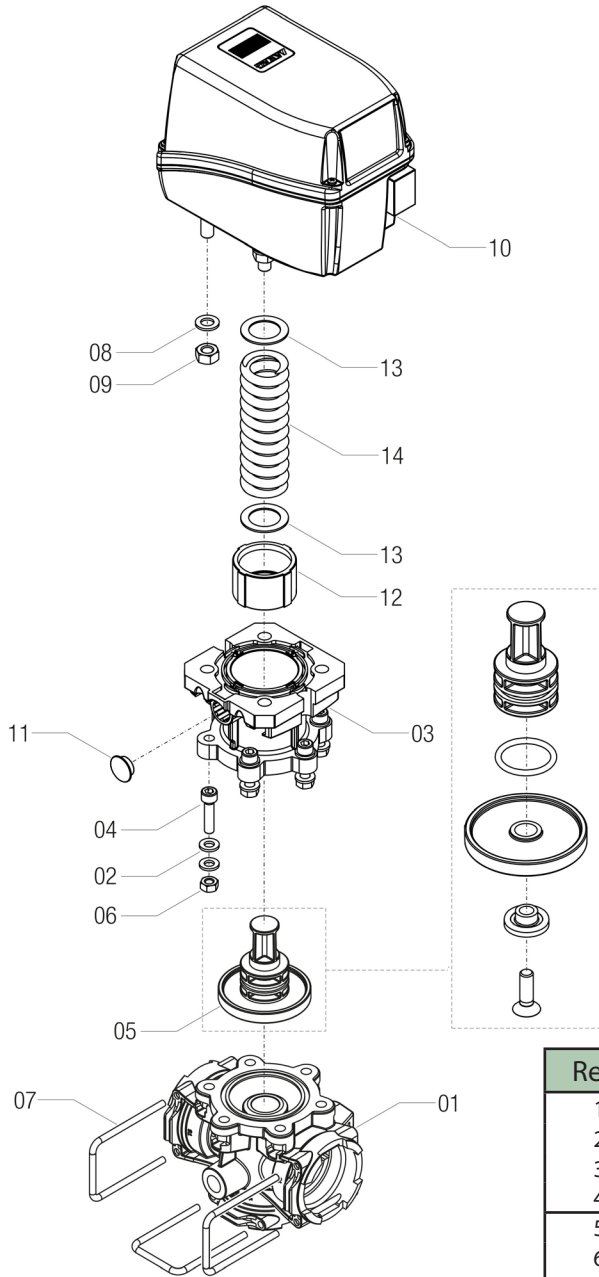


8750652 Breakdown

875 Series electric diaphragm pressure relief control valve with T5 fork coupling



Ref#	Qty.	Part Number	Description
1	1	475050.510	Valve Regulating Pressure T5 Connector
2	12	B202F0	Washer 6,4X12,5X1,6 INOX
3	1	4652600.110	Valve 465 Motor Support
4	6	V1C24K	Screw, TCEI 6X25
5	1	4652005.180	Electric valve kit
6	6	B10241	Nut, M6X10X5
7	3	010005	Connector, Fork T5 QC
8	4	B202H0	Washer 8,4X15X1,5 INOX
9	4	B10251	Nut M8X13X6.5 UNI5588 INOX
10	1	8650951	Motor Regulating Valve .R=1:183,3 36W 24MM TR10X2
11	1	4542233.057	Lever Plug 1/2-3/4-1-1/4-1/2 Green
12	1	4652600.111	Security Bushing
13	2	471502-135	Spacer D.20X30X1
14	1	465002-120	Pressure Spring Unit, 20 BAR