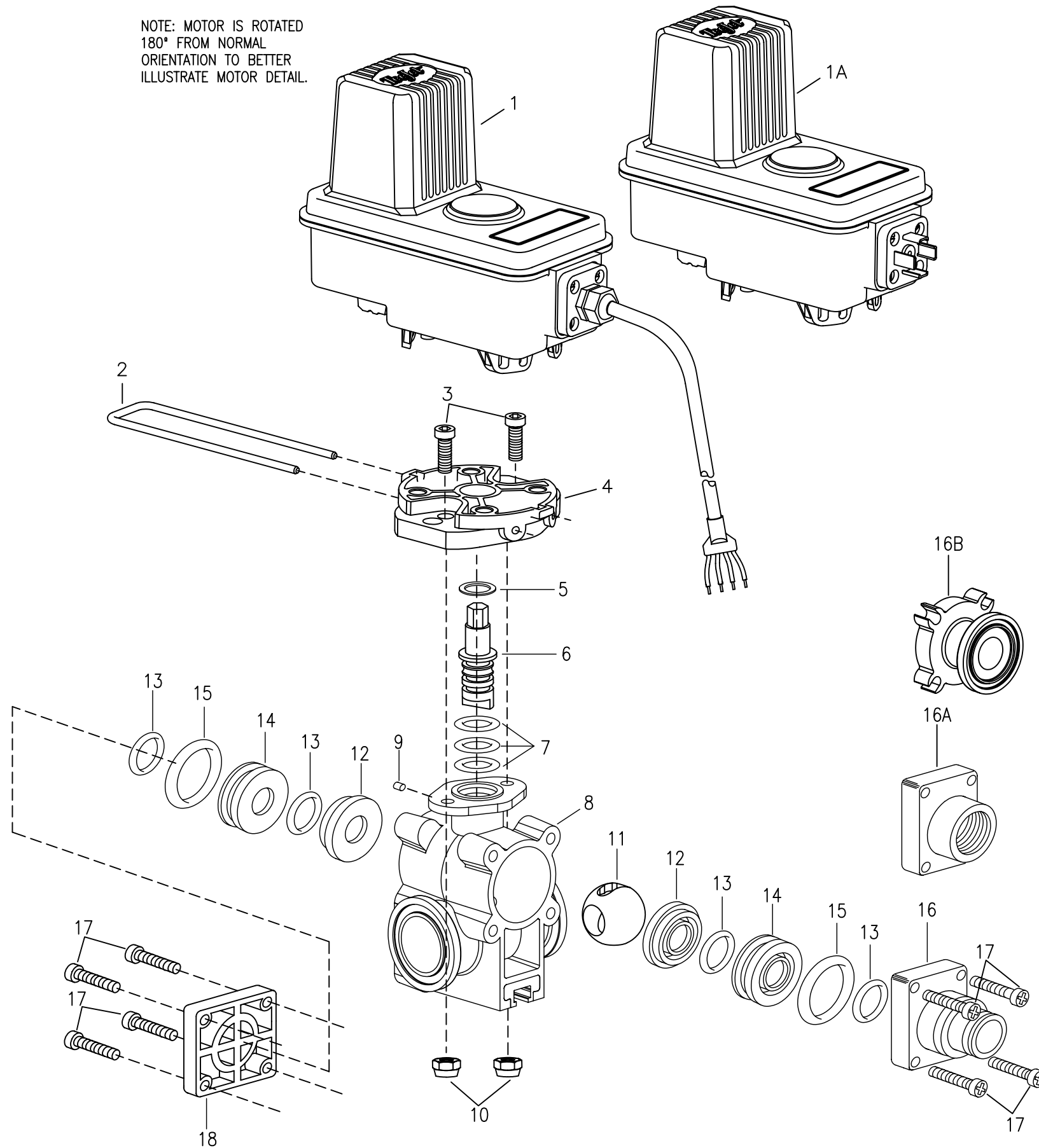



NOTE: MOTOR IS ROTATED
180° FROM NORMAL
ORIENTATION TO BETTER
ILLUSTRATE MOTOR DETAIL.



ITEM	SALES PART NO.	DESCRIPTION	
1	50515-25CP03 ■	MOTOR, 25-RPM (0.6-SEC), 0.3-METER CABLE, POSITIVELY SWITCHED	
	50515-25CP05 ■	MOTOR, 25-RPM (0.6-SEC), 0.5-METER CABLE, POSITIVELY SWITCHED	
	50515-25CP15 ■	MOTOR, 25-RPM (0.6-SEC), 1.5-METER CABLE, POSITIVELY SWITCHED	
	50515-25CP60 ■	MOTOR, 25-RPM (0.6-SEC), 6.0-METER CABLE, POSITIVELY SWITCHED	
1A	50515-25DP ■	MOTOR, 25-RPM (0.6-SEC), DIN CONNECTION, POSITIVELY SWITCHED	
2	CP50517-SSPV	RETAINING CLIP, 304 STAINLESS STEEL	
3	CP26197-7/8-SS	SOCKET HEAD CAP SCREW, STAINLESS STEEL (2 REQ'D)	
4	CP50514-PP	MOTOR ADAPTER, POLYPROPYLENE (BLACK)	
*	5	CP20125-TEF	THRUST WASHER, TEFLON
6	CP56614-SS	STEM, 303 STAINLESS STEEL	
*	7	CP7717-M12X2.5-VI	O-RING, VITON (3 REQ'D)
8	CP45503-NYB	BODY, NYLON (INCLUDES MOUNTING RAIL)	
*	9	CP20126-FELT	DUST PLUG, FELT
10	CP38435-1/4-SSNY	ELASTIC LOCKNUT, STAINLESS STEEL (2 REQ'D)	
11	CP45510-1-SS	BALL, 303 STAINLESS STEEL	
*	12	CP20103-TEF	SEAL, TEFLON (2 REQ'D)
*	13	CP7717-2-213-VI	O-RING, VITON (4 REQ'D)
14	CP45502-NYB	BALL SEAL SPACER, NYLON (BLACK) (2 REQ'D)	
*	15	CP7717-2-322-VI	O-RING, VITON (2 REQ'D)
16	CP45514-NYB	ENDCAP, NYLON (BLACK) (QUICK CONNECT)	
16A	CP20104-3/4-NYB	ENDCAP, NYLON (BLACK) (3/4" NPT THREAD)	
	CPB20104-3/4-NYB	ENDCAP, NYLON (BLACK) (3/4" BSPT THREAD)	
	CP20104-1-NYB	ENDCAP, NYLON (BLACK) (1" NPT THREAD)	
	CPB20104-1-NYB	ENDCAP, NYLON (BLACK) (1" BSPT THREAD)	
16B	CP45253-NYB	ENDCAP, NYLON (BLACK) (50-SERIES FLANGED)	
17	CP45517-1-1/8-SS	PAN HEAD SCREW, STAINLESS STEEL (8 REQ'D)	
18	CP45518-NYB	REAR COVER, NYLON (BLACK)	
AB460B-KIT, SPARE PARTS KIT (INCLUDES ALL ITEMS MARKED WITH *)			

NOTE: (B) IN PART NUMBER INDICATES B.S.P.T INLET AND OUTLET CONNECTIONS
 ■ NOTE: FOR NEGATIVELY SWITCHED MOTORS SPECIFY "N" RATHER THAN "P" IN MOTOR PART NUMBER. EXAMPLE: 50515-25CN05

DESCRIPTION:
460BEC 2-WAY DIRECTOVALVE® ELECTRIC BALL VALVE MANIFOLD



Spraying Systems Co.®
 Spray Nozzles and Accessories
 P.O. Box 7900 - Wheaton, IL 60189-7900

Rev. No. 0	PARTS LIST
Ref.	PL460BEC
SHEET OF	