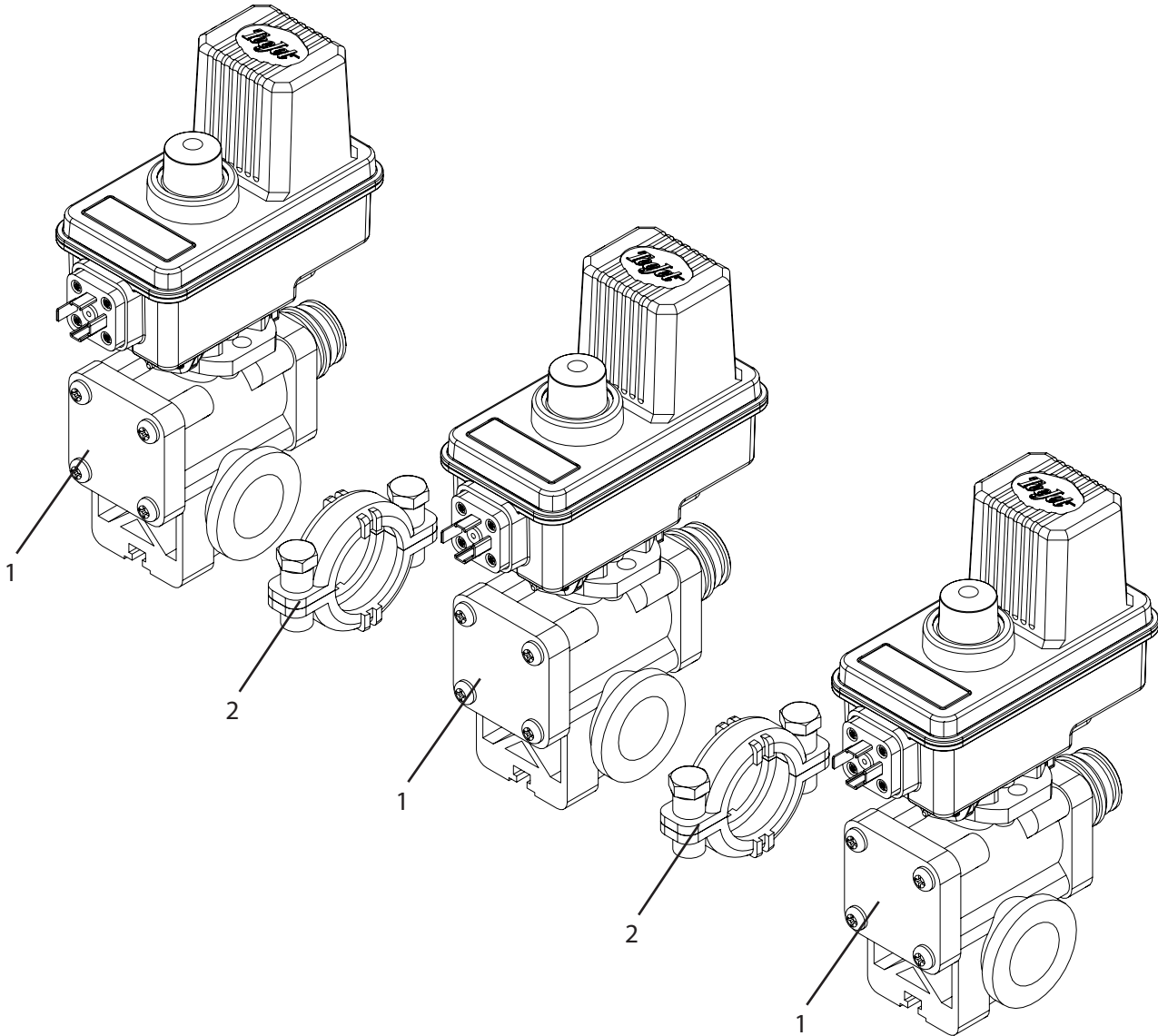


463, 465, 467BEC-2Q-D Breakdown

Manifold, 3, 5, & 7-Valve #50 flange inlets, QC outlets, DIN connection



Ref#	Qty. 3 Sections	Qty. 5 Sections	Qty. 7 Sections	Part Number	Description
1	3	5	7	461BEC-2Q-D *	Valve, Manifold Ball Valve (1 Section)
2	2	4	6	46070	Clamp, Flange 50 series
3	2	4	6	CP7717-2-222-VI	O-ring, Viton For 50 Series Flange

* This part has a breakdown for component parts.

** O-ring included with clamp.