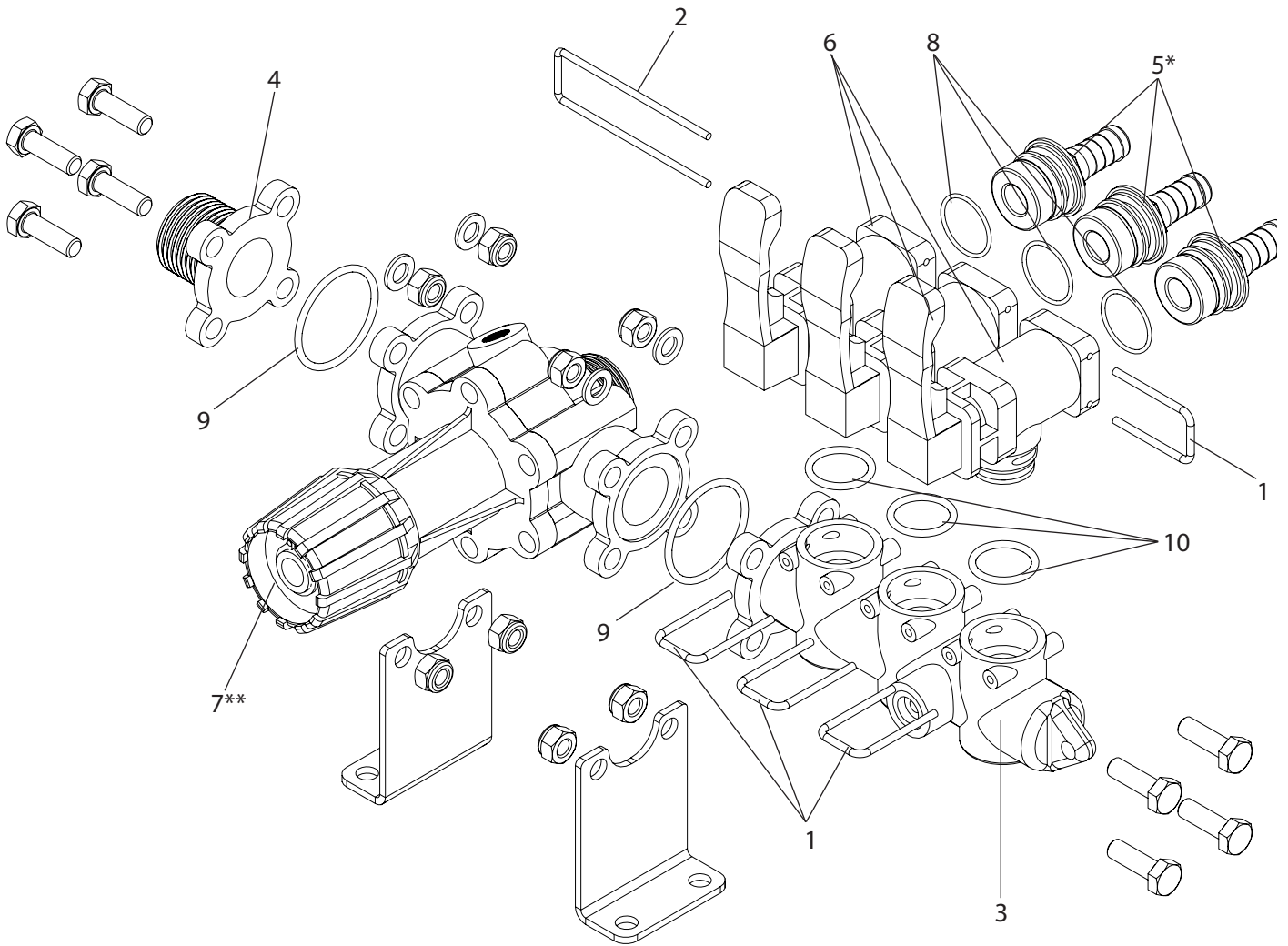


4650113 Breakdown

Control, Arag Manual Unit 3 Section



* Used with 1/2" hose. When using 3/4" hoses part number is 463001-119-1.

** Part has a breakdown for component parts.

4650113 Breakdown

Control, Arag Manual Unit 3 Section

Ref#	Qty.	Part Number	Description
1	4	010002	Clip, U-Pin
2	1	010012	Clip, U-Pin (2 valves)
3	1	461030-010	Manifold, Valve (3-Section)
4	1	463000-041	Inlet, Manifold 1in MPT #463
5	3	463001-113-1 *	Fitting, Port Outlet w/O-Ring 1/2" HB
6	3	464402-151	Valve, Boom Section
7	1	465522 **	Valve, Regulating Manual 290 PSI Flanged x 1" MBSP
8	3	465005-140V	O-Ring, Port O-Ring Outlet #463
9	2	G10071V	O-Ring, Manifold Viton #463
10	3	G10041V	O-Ring

* Used with 1/2" hose. When using 3/4" hoses part number is 463001-119-1.

** Part has a breakdown for component parts.