

CROPCARE

Equipment Built For You

3PT. HITCH 55 GALLON SPRAYER

Model 3PT55

Owner's Manual



PaulB LLC | 50 Woodcorner Road | Lititz PA 17543
www.CropCareEquipment.com | 717-738-7350
A Paul B Zimmerman Inc. Company

PaulB LLC thanks you for choosing to purchase one of our sprayer models. We appreciate your business and want to personally fill all of your sprayer needs. We also desire to provide you with the technical support and needed parts that will allow you to continue spraying without disruption. See the Contact Us section on page 20.

Table of Contents

Before You Begin.....	1
Safety Precautions	2
General Guidelines.....	2
Before Operation.....	2
During Operation.....	3
Following Operation.....	3
Pump Safety Precautions.....	3
Mounting the Pump.....	4
Calibrating the Sprayer	4
Calibration Chart.....	6
Operating Instructions	7
Boom Spraying.....	7
Gun Spraying.....	7
Maintenance Instructions	8
Routine Maintenance.....	8
Pump Maintenance.....	8
Winterizing Your Sprayer.....	9
Warranty.....	10
Sprayer Breakdown	11
Parts List.....	12
Spray Gun Breakdowns.....	16
Pump Breakdown.....	18
Relief Valve Breakdown.....	19
PTO Coupler Breakdown.....	19
Contact Us.....	20

Before You Begin

- ◆ **Please read and understand this manual and its instructions and warnings completely before operating the sprayer.**
- ◆ **Be aware of all safety guidelines, warnings, and cautions including those of the tractor manufacturer.**
- ◆ **Read and understand the chemical manufacturer's labels, warnings, and instructions.**
- ◆ **Know and fulfill all state pesticide applicator license requirements.**
- ◆ **Familiarize yourself and other operators with the sprayer's components and how all parts are operated.**

! Safety Precautions !

General Guidelines

Every year many unnecessary accidents occur due to improper equipment handling and a disregard for safety precautions. You, the operator, can avoid accidents by observing the precautions in this section.

- ◆ The operator should be a responsible adult. **Do not allow persons to operate this sprayer until they have displayed a thorough understanding of sprayer safety precautions and operational use!**
- ◆ **All operators must also fulfill state pesticide applicator license requirements!**

- ◆ Never attempt to operate this sprayer when under the influence of alcohol or drugs.
- ◆ The best defense against accidents is a careful and responsible operator.



Figure 1: Chemical Warning Decal(# DEMT3980)

- ◆ A chemical warning decal and an owner's manual warning decal are located on the sprayer's tank. Be aware of their location. See Figure 1 and Figure 2. Always replace any warning decals that are not legible or are missing.
- ◆ When transporting the sprayer on public roads, always follow state and local regulations regarding safety and transportation requirements. Use the necessary lights and slow moving vehicle (SMV) emblems.
- ◆ If there is any portion of this manual that you do not fully understand, please contact PaulB.



Figure 2: Owner's Manual Decal(# DE39)

Before Operation

- ◆ Carefully study and understand this owner's manual.
- ◆ **Read and follow chemical manufacturer's labels, warnings, and instructions!** A material safety data sheet (MSDS) should be provided by the chemical manufacturer.
- ◆ To avoid injury from chemical hazards, **wear the proper protective clothing. Each chemical manufacturer's clothing requirements are listed under the "Personal Protective Equipment (PPE) section in the chemical instructions.**
- ◆ Do not wear loose-fitting clothing which may catch in moving parts.
- ◆ It is also recommended that operators wear suitable hearing and eye protection.
- ◆ Never exceed your tractor's load rating.

- ◆ **Give the sprayer a visual inspection** for any worn parts, loose bolts, or other visible problems, and make the necessary repairs. See the maintenance section(pg. 8).
- ◆ Make sure the area is clear of any people or obstructions before using the sprayer.
- ◆ Have all operators practice operating the sprayer and its attachments until all persons are completely capable of safe operation.

During Operation

- ◆ **Always be aware of bystanders, particularly children!** Always look before moving the sprayer or engaging the PTO.
- ◆ **No passengers** are allowed on or in the tractor or sprayer at anytime.
- ◆ Keep hands and body parts clear of all moving parts, especially the tractor PTO.
- ◆ Be aware of dangerous terrain such as holes, slopes, drop-offs, banks, rocks, and hidden hazards. Operate the tractor and sprayer up and down slopes, not across.
- ◆ When operating on inclines, it is especially important that your tractor is equipped with Roll Over Protection System (ROPS).
- ◆ Allow for sprayer boom length when making turns.
- ◆ Never leave running equipment unattended!
- ◆ Remember that accidents can even happen to seasoned operators. Always take your time and follow all safety instructions.

Following Operation

- ◆ Following operation, stop the tractor unit, set brakes, disengage PTO, shut off engine, and remove ignition key.
- ◆ Park the sprayer on a hard level surface.
- ◆ Store the sprayer away from human and livestock activity.
- ◆ Do not permit children to play on or around sprayer.

Pump Safety Precautions

- ◆ Never pump flammable or explosive fluids such as gasoline, fuel oil, kerosene, etc.
- ◆ Never pump acids (i.e. acid fertilizer) with super rollers. For acid fertilizer Hypro recommends the Silver Series castings with Teflon rollers.
- ◆ **Never run the pump dry!** Never pump faster or above the maximum recommended speed and pressure (1200 RPM, 300 psi).
- ◆ Never pump liquids at temperatures higher than the recommended maximum temperature (140° F / 60° C) Do not exceed this temperature.
- ◆ **Before servicing your pump, disconnect the power, release all pressure, and drain all liquids.**

Mounting the Pump

It is important to correctly mount the pump to insure safe pumping operations. The preferred method for mounting the torque arm and the pump to the tractor is with a chain going up to provide support for the pump.

1. Mount the pump and torque arm to the PTO shaft using the correct PTO coupler (included with your pump). When connecting the PTO coupler to the PTO shaft make sure it clicks and is correctly connected.
2. Attach the torque chain to the tractor frame with the torque arm in a horizontal position. The chains should be attached to the tractor as close to vertical as possible to avoid a bending force on the pump.

Note: Some tractors do not have easy attachment points for attaching the torque chain. It may be necessary to drill holes in the tractor's master shield to attach the chains. It is also acceptable to mount an angle iron on the master shield to attach the chains.

Calibrating the Sprayer

Note: All calibration needs to be done with water!

When spraying with the boom, the sprayer must be calibrated to ensure proper spray coverage and to combat over-application or under-application. The calibration process is simplified when broken up into the following three steps:

1. Calculate the speed of the tractor.
2. Determine the nozzle size and consult the calibration chart for the desired or instructed Gallon per Acre(GPA).
3. Set the pressure accordingly using the relief valve.

1. Calculating the Speed

It is important to determine what speed your tractor will be traveling at while spraying. While some tractors have speedometers, it is still recommended that speed is calculated for all tractors for accuracy purposes. To determine the speed follow the four following steps

Measure a 200 foot or 300 foot distance on a field or a surface similar to where you will be spraying.

1. Drive the tractor and sprayer (half-full is optimal) across the measured distance at a constant rate of speed. There can be no changes in speed while you are measuring the time. This should be a comfortable speed for spraying.
2. Have someone measure the amount of time(in seconds) it takes to travel the measured distance.
3. Your speed can be found by entering your data into the equation $\text{Speed(mph)} = (\text{Distance(ft)} \times 60) / (\text{Time(seconds)} \times 88)$ or by consulting the table to the left.

Speed in MPH	Time required(seconds) to travel a distance of:	
	200 feet	300 feet
1.0	136	205
1.5	91	136
2.0	68	102
2.5	55	82
3.0	45	68
3.5	39	58
4.0	34	51
4.5	30	45
5.0	27	41
5.5	25	37
6.0	23	34
6.5	21	31
7.0	19	29

Note: It is helpful for future references to record the exact RPM and gear used to find your speed.

2. Determining Nozzle Size and Using Calibration Chart

The spray nozzles on your sprayer are color-coded to match up with the calibration chart. After you have determined your nozzle size, you need to look at the calibration chart. Using your tractor speed, nozzle size, and desired gallons per acre (GPA), find the pressure (psi) necessary to achieve your GPA. It is important to note that lower pressure settings will result in less spray drift.

Example: Assume you have found your tractor speed to be 5 MPH, your nozzles are blue (XRC11003), and you want to spray 15 GPA. Upon looking at the chart, you find that you should set the sprayer's pressure at about 28 psi in order to apply 15 GPA.

3. Adjusting the Pressure on Your Sprayer

Note: All calibration needs to be done with clean water!

You have found the correct pressure setting, but must now adjust the sprayer to that pressure setting. Before you adjust the sprayer's pressure, it is important to set the tractor's RPM at the rate that was used to find the tractor's speed. The relief valve controls the sprayer's pressure and is located directly beside the pressure gauge. When you go to spray, turn the relief valve until you achieve the necessary pressure. You have successfully calibrated the sprayer!

Note: Due to normal wear, Teejet® recommends that you replace your sprayer nozzles after every spraying season. Nozzle replacement will ensure accurate spraying performance.

Calibration Chart

Please note: Flow rates are calculated using water.

Tip Size	PSI	GPM of one nozzle	Gallons Per Acre			
			3 MPH	4 MPH	5 MPH	6 MPH
XRC11002	15	0.12	11.8	8.9	7.1	5.9
	20	0.14	13.8	10.4	8.3	6.9
	30	0.17	16.8	12.6	10.1	8.4
	40	0.20	19.8	14.9	11.9	9.9
	50	0.22	21.8	16.3	13.1	10.9
	60	0.24	23.8	17.8	14.3	11.9
XRC110025	15	0.15	14.8	11.1	8.9	7.4
	20	0.18	17.8	13.4	10.7	8.9
	30	0.22	21.8	16.3	13.1	10.9
	40	0.25	24.8	18.6	14.9	12.4
	50	0.28	27.8	21.0	16.6	13.9
	60	0.31	30.6	23.0	18.4	15.3
XRC11003	15	0.18	17.8	13.4	10.7	8.9
	20	0.21	20.8	15.6	12.5	10.4
	30	0.26	25.8	19.3	15.4	12.9
	40	0.30	29.8	22.0	17.8	14.9
	50	0.34	33.6	25.0	20.0	16.8
	60	0.37	36.6	27.0	22.0	18.3
XRC11004	15	0.24	23.8	17.8	14.3	11.9
	20	0.28	27.8	21.0	16.6	13.9
	30	0.35	34.6	26.0	21.0	17.3
	40	0.40	39.6	30.0	24.0	19.8
	50	0.45	44.0	33.0	27.0	22.0
	60	0.49	48.0	36.0	29.0	24.0
XRC11005	15	0.31	30.6	23.0	18.4	15.3
	20	0.35	34.6	26.0	21.0	17.3
	30	0.43	42.0	32.0	26.0	21.0
	40	0.50	50.0	37.0	30.0	25.0
	50	0.56	56.0	42.0	33.0	28.0
	60	0.61	60.0	45.0	36.0	30.0

Operating Instructions

Before operating the sprayer, it is important that you read this entire manual and know all safety precautions. Always take your time and be alert when operating your sprayer. This will allow you to safely spray without accident or interruption.

Spraying with the Boom

1. Calibrate the sprayer using the preceding calibration instructions and chart. This will determine what pressure to spray at in order to achieve the desired Gallons per Acre (GPA).
2. Connect the pump's PTO coupler to the PTO shaft (see pg. 4 for mounting the pump).
3. Fill the tank with some water in order to set the pressure and test for leaks.
4. Prepare the sprayer for spraying by opening the ball valve on the inlet line from the tank, by closing the valve to the boom supply line, and by closing the valve leading to the spray gun (only applicable with spray gun option).
5. Start the tractor and engage the pump. The tractor should be running at the RPM rate determined when you calibrated your sprayer. Ensure that the pump is primed and that there are no leaks in any of the lines.
6. Using the relief valve, adjust the sprayer's pressure to the pressure rating found when you calibrated your sprayer. When you open the boom supply line valve you may need to readjust the pressure.
7. You may now fill the tank with the amount of water and chemicals recommended by the chemical being used. Before filling the tank make sure the tractor's PTO is disengaged. After filling the tank, engage the pump and allow for ample amount of time for the jet agitator to mix the water and chemicals. **Note: See chemical instructions for necessary agitation time.** You are now ready to begin spraying.
8. Upon arriving at the spraying location, open the booms, engage pump, and make sure the pressure setting is correct. While spraying always remember to maintain a constant level of speed and RPM (rates found when calibrated).

Spraying with the Spray Gun

1. Connect the pump's PTO coupler to the PTO shaft (see pg. 4 for mounting the pump).
2. Fill the tank with some water in order to set the pressure and test for leaks.
3. Start the tractor and engage the pump. Ensure that the pump is primed and that there are no leaks in any of the lines.

Note: If you have the 6500C (cast iron pump), it is recommended that you take the pump off and fill it with oil. This will guard against rust and corrosion. Do not under any circumstances run oil through the sprayer. This will cause hoses to swell up.

4. Adjust the sprayer's pressure using the relief valve to your desired setting. When you open the spray gun supply line valve, you may need to readjust the pressure.
5. You may now fill the tank with the amount of water and chemicals recommended by the chemical being used. Before filling the tank make sure the tractor's PTO is disengaged. After filling the tank, engage the pump and allow for ample amount of time for the jet agitator to mix the water and chemicals. **Note: See chemical instructions for necessary agitation time.** You are now ready to begin spraying.
6. Upon arriving at the spraying location, engage the pump, and make sure the pressure setting is correct. Turn the knob on the end of the spray gun to adjust the spray pattern.

Maintenance Instructions

Routine Maintenance

It is very important to perform routine maintenance on your sprayer before and after each use. Good maintenance practices will help to guard against any sprayer breakdowns or accidents.

1. It is recommended to perform a visual and physical inspection for any worn parts, loose bolts, or other visible problems. Make all necessary repairs before spraying. See the Contact Us section (pg. 20) for instructions on ordering parts and getting technical help.
2. **After each use it is important to rinse the pump** and all components by running water through the system. Rinsing the pump with fresh water will greatly improve the life of the pump!
3. The in-line filter on the inlet supply line should be taken out and rinsed. **Note:** Be careful not to lose the gasket in the filter bowl. A missing gasket will cause the strainer to leak.
4. Tip strainers should also be taken out and rinsed after every use. Tip strainers are small screens that are located behind each spray nozzle on the boom.

Pump Maintenance

1. Follow all pump safety precautions and warnings (pg. 3). Following these guidelines will help to ensure many years of smooth and trouble-free pumping.
2. **Always flush the pump out with fresh water after every use.** It is also very important to winterize your pump to prevent freezing and corrosion. See below for winterizing instructions.

3. After many years of use you may find that your pump is leaking or has experienced a decrease in performance. You may need to change the seals and rollers. Contact PaulB for parts, technical assistance, or pump repair.

Winterizing your Sprayer

To avoid damage from freezing and corrosion, it is important to winterize your sprayer before temperatures grow too cold.

1. Verify that the tank is empty and rinsed out. Dump 1-2 gallons of RV nontoxic antifreeze into the tank. **It is not recommended to use standard Antifreeze. Standard antifreeze can be harmful to humans, animals, crops, and the environment.**
2. Engage the pump and spray with the boom and subsequently the spray gun (if applicable). Make sure that the antifreeze has been pumped through the entire system including all spray nozzles.
3. Store the sprayer in a dry location away from the elements.
4. Before spraying in the spring it is recommended to flush the sprayer with fresh water to cleanse it of the antifreeze and any other buildup. It would also be beneficial to do a thorough inspection of all sprayer components before spraying.

PaulB LLC Limited Warranty

3 PT 55 Gallon Sprayer: Model 3PT55

Warranty Coverage

PaulB LLC hereby provides a **Limited One (1) Year Warranty** on the 3 PT 55 gallon sprayer, model 3PT55, manufactured by PaulB LLC from the date of original purchase. 3 PT 55 gallon sprayers built by PaulB LLC are warranted against any manufacturer's defects that may occur to any of the sprayer's components in the 12 months following the original date of purchase. This warranty covers the purchaser of this sprayer and any other owners who own it during the one year warranty period. To retain the warranty, the sprayer must be operated and maintained as ascribed by its owner's manual.

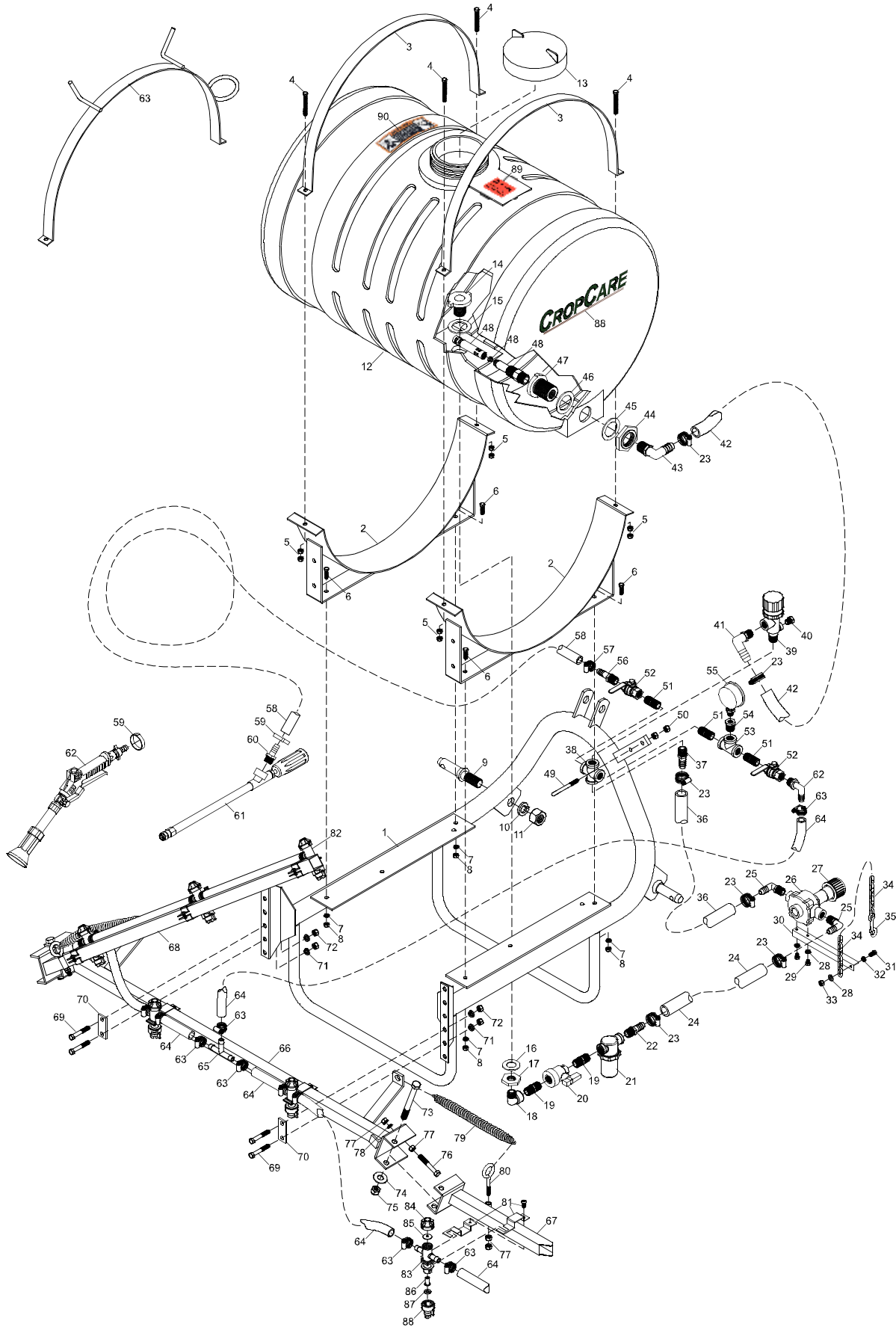
Warranty is void if:

1. The sprayer has been subjected to, in the opinion of PaulB LLC, negligent handling, misuse, an accident or if the instructions in the owner's manual were not completely followed.
2. The sprayer's components have been altered in any manner or repairs have taken place with unapproved parts.
3. The sprayer and its components were subject to freezing or freezing conditions. The sprayer must have been winterized as per the maintenance instructions to retain the warranty.
4. A non-compatible chemical was used and/or if the sprayer operator failed to rinse all chemical residue out of the sprayer's components after use.
5. A petroleum-based, oil-based, or flammable product was used and caused damage to the pump, tank, hoses, or any other component.

Getting Service

All sprayer warranty claims must be made through PaulB LLC. All warranty claims must be submitted with an invoice or a proof of purchase that denotes the purchase date and place. If you have any questions or comments concerning this warranty, please contact PaulB LLC.

Sprayer Breakdown



Parts List

Tank Assembly & Hardware (base model)

Ref #	Qty.	Part Number	Description
1	1	3PTFRAMEMINI	3pt sprayer frame (no hardware)
2	1 pr	TS23	Complete saddle bracket (includes ref# 3,4,5)
3	2	SS23*	Tank strap, 1 1/4"W x 36 1/2"L
4	4	HTB516*4S*	Stainless hex tap bolt, 5/16" x 4"
5	8	NC516S*	Stainless course nut, 5/16"
6	4	H5C38*1	Course bolt, 3/8" x 1", grade 5
7	4	LW38	Lock washer, 3/8"
8	4	NC38	Course nut, 3/8"
9	2	002000	Lift arm pin, category 1 (includes ref# 10,11)
10	2	LW78*	Lock washer, 7/8"
11	2	NF78*	Fine nut, 7/8"
12	1	47337	Poly tank, 55 gallon, 23" diameter (includes ref# 13)
13	1	62476*	Tank lid, 5" round
14	1	60401	Tank fitting, 3/4", double tap (includes ref # 15,16,17)
15	1	60402*	EPDM rubber gasket, 3/4"
16	1	N/A*	Poly gasket, 3/4" (outside of tank)
17	1	N/A*	Poly nut, 3/4"
18	1	8SE34	Poly street elbow, 3/4", sch. 80
19	2	8M34	Poly nipple, 3/4" x short, sch. 80
20	1	075SUBV	Single union ball valve, 3/4"
21	1	33500034A	Poly strainer, 3/4" FNPT, 50 mesh (includes 4 items listed below)
-	1	3351-0038*	Poly cap, black, 3/4" strainer (included in ref# 21)
-	1	3351-0039*	Poly bowl, black, 3/4" strainer (included in ref # 21)
-	1	3800-0025*	Stainless screen, 50 mesh, 3/4" strainer (included in ref # 21)
-	1	1700-0091*	EPDM rubber gasket, 3/4" strainer (included in ref# 21)
22	1	3A3434	Poly adapter, 3/4"MNPT x 3/4" barb
23	6	6812	Stainless hose clamp, 1/2"-1 1/4"
24	3'	3003	Clear PVC suction hose, 3/4"
25	2	3EL3434	Poly hose elbow, 3/4" MNPT x 3/4" barb
26	1	6500C**	Hypro cast iron pump, 6 roller
26	1	6500N**	Hypro nitrogen-resistant pump, 6 roller
26	1	6500XL**	Hypro "silver series" pump, 6 roller
27	1	13230074	PTO quick connect adapter, 540 RPM, 5/8" shaft
28	3	LW516	Lock washer, 5/16"
29	2	H5C516*34	Course bolt, 5/16" x 3/4", grade 5
30	1	PUMPTA	Torque arm for mounting pump, 12"x 1"x 1"
31	1	H5C516*1	Course bolt, 5/16" x 1", grade 5
32	1	FW516	Flat washer, 5/16"
33	1	NC516	Course nut, 5/16"
34	2'	0140323	Zinc plated chain, 3/16", system 3

* Individual part is included in a complete assembly.

** Pump parts breakdown is listed on page 18.

Tank Assembly & Hardware (base model) Cont.

<i>Ref #</i>	<i>Qty.</i>	<i>Part Number</i>	<i>Description</i>
35	1	7601431	Zinc plated snap, open eye bolt
36	4'	1012	EPDM rubber hose, 3/4"
37	1	3A1234	Poly hose adapter, 1/2" MNPT x 3/4" barb

Tank Assembly & Hardware Cont.

<i>Ref #</i>	<i>Qty.</i>	<i>Part Number</i>	<i>Description</i>
38	1	CR12G	Galvanized cross, 1/2"
39	1	2312012PP**	Poly relief valve, 1/2", 100 psi
40	1	3F14	Poly pipe plug, 1/4" MNPT
41	1	3EL1234	Poly hose elbow, 1/2" MNPT x 3/4" barb
42	26"	1012	EPDM rubber hose, 3/4"
43	1	3EL3434	Poly hose elbow, 3/4" MNPT x 3/4" barb
44	1	N/A*	Poly nut, 3/4"
45	1	N/A*	Poly gasket, 3/4" (outside of tank)
46	1	62799*	EPDM rubber gasket, 3/4"
47	1	62798	Poly tank fitting, 3/4", HD, double tap (includes ref # 44,45,46)
48	1	33710019	Jet agitator (breakdown shown for cleaning purposes)
49	1	N222141	Zinc U-bolt, 5/16" x 1 3/4" x 3"
50	2	NNC516	Nylon lock nut, 5/16"
51	3	N12*CLG	Galvanized nipple, 1/2" x close
52	2	43107003	Chrome plated ball valve, 1/2"
53	1	T12G	Galvanized tee, 1/2"
54	1	RB1214G	Galvanized reducer bushing, 1/2" x 1/4"
55	1	GG200	Stainless gauge, liquid filled, 2 1/2", 200 psi

*Individual part is included in a complete assembly.

**Relief valve parts breakdown listed on page 19.

Spray Gun Assembly (optional)

<i>Ref #</i>	<i>Qty.</i>	<i>Part Number</i>	<i>Description</i>
56	1	3A1212	Poly hose adapter, 1/2" MNPT x 1/2" barb
57	1	6806	Stainless hose clamp, 7/16" - 7/8"
58	50'	1008	EPDM rubber hose, 1/2"
59	1	J201	Band-it clamp, 3/8" x 13/16", stainless steel
60	1	D3412BR	Brass hose adapter, 3/4" male garden hose x 1/2" barb
61	1	AA126*	Brass spray gun, female garden hose, #6 orifice tip (Standard Gun)
62	1	3381-0013**	Hypro® pistol-grip spray gun, 1/2" barb (Optional Spray Gun)
63	1	SS23H	Tank strap w/ hose holder, 36 1/2" L

*AA126 spray gun parts breakdown listed on page 16.

** 3381-0013 spray gun parts breakdown listed on page 17.

12 Ft. Boom Assembly (optional)

<i>Ref #</i>	<i>Qty.</i>	<i>Part Number</i>	<i>Description</i>
62	1	3EL1212	Poly hose elbow, 1/2" MNPT x 1/2" barb
63	18	6806	Stainless hose clamp, 7/16" - 7/8"
64	N/A	1008	EPDM rubber hose, 1/2"

12 Ft. Boom Assembly (optional) Cont.

<i>Ref #</i>	<i>Qty.</i>	<i>Part Number</i>	<i>Description</i>
65	1	T12	Poly hose barb tee, 1/2"
66	1	BF1211	Center boom frame
67	1	BF1212R	Right boom wing
68	1	BF1212L	Left boom wing
69	4	H5C38*214	Course bolt, 3/8" x 2 1/4", grade 5
70	2	BF1210	Boom mounting clip
71	4	LW38	Lock washer, 3/8"
72	4	NC38	Course nut, 3/8"
73	2	H5C12*5	Course bolt, 1/2" x 5", grade 5
74	2	FW12	Flat washer, 1/2"
75	2	NNC12	Nylon lock Nut, 1/2"
76	2	H5C38*2	Course bolt, 3/8" x 2", grade 5
77	8	NC38	Course nut, 3/8"
78	2	LW38	Lock washer, 3/8"
79	2	33*TS	Extension spring, 1" x 6"
80	2	N221267	Zinc eye bolt, 3/8" x 4"
81	8	QJ111SQ114	Nozzle body clamp, 1 1/4", square
82	2	22251311500NYB	Nozzle body elbow, 1/2" (includes ref # 84,85)
83	6	22252312500NYB	Nozzle body tee, 1/2" (includes ref # 84,85)
84	8	2195010NYB*	Chemsaver end cap assembly
85	8	CP21953EPR*	EPDM rubber diaphragm
86	8	8079PP50	Stainless nozzle screen, 50 mesh, red
87	8	CP19438EPR	Seat washer, rubber
88	8	XRC11003VK**	Ceramic spray tip/cap combination, blue

*Individual part is included in a complete assembly.

**Other tips are available; see page 6 for calibration chart.

20 Ft. Boom Assembly (optional)

<i>Ref #</i>	<i>Qty.</i>	<i>Part Number</i>	<i>Description</i>
62	1	3EL1212	Poly hose elbow, 1/2" MNPT x 1/2" barb
63	30	6806	Stainless hose clamp, 7/16" - 7/8"
64	N/A	1008	EPDM rubber hose, 1/2"
65	1	T12	Hose barb tee, 1/2"
66	1	BF2011	Center boom frame
67	1	BF2012R	Right boom wing
68	1	BF2012L	Left boom wing
69	4	H5C38*214	Bolt, 3/8" x 2 1/4", grade 5
70	2	BF1210	Boom mounting clip
71	4	LW38	Lock washer, 3/8"
72	4	NC38	Course nut, 3/8"
73	2	H5C12*5	Course bolt, 1/2" x 5", grade 5
74	2	FW12	Flat washer, 1/2"
75	2	NNC12	Nylon lock Nut, 1/2"
76	2	H5C38*2	Course bolt, 3/8" x 2", grade 5
77	8	NC38	Course nut, 3/8"

*Individual part is included in a complete assembly.

**Other tips are available; see page 6 for calibration chart.

20 Ft. Boom Assembly (optional) Cont.

<i>Ref #</i>	<i>Qty.</i>	<i>Part Number</i>	<i>Description</i>
78	2	LW38	Lock washer, 3/8"
79	2	S-267	Extension spring, 1 1/4" x 6 1/2"
80	2	N221267	Zinc eye bolt, 3/8" x 4"
81	8	QJ111SQ114	Nozzle body clamp, 1 /14", square
82	4	22251311500NYB	Nozzle body elbow, 1/2" (includes ref # 84,85)
83	8	22252312500NYB	Nozzle body tee, 1/2" (includes ref # 84,85)
84	8	2195010NYB*	Chemsaver end cap assembly
85	8	CP21953EPR*	EPDM rubber diaphragm
86	8	8079PP50	Stainless nozzle screen, 50 mesh, red
87	8	CP19438EPR	Seat washer, rubber
88	8	XRC11003VK**	Ceramic spray tip/cap combination, blue

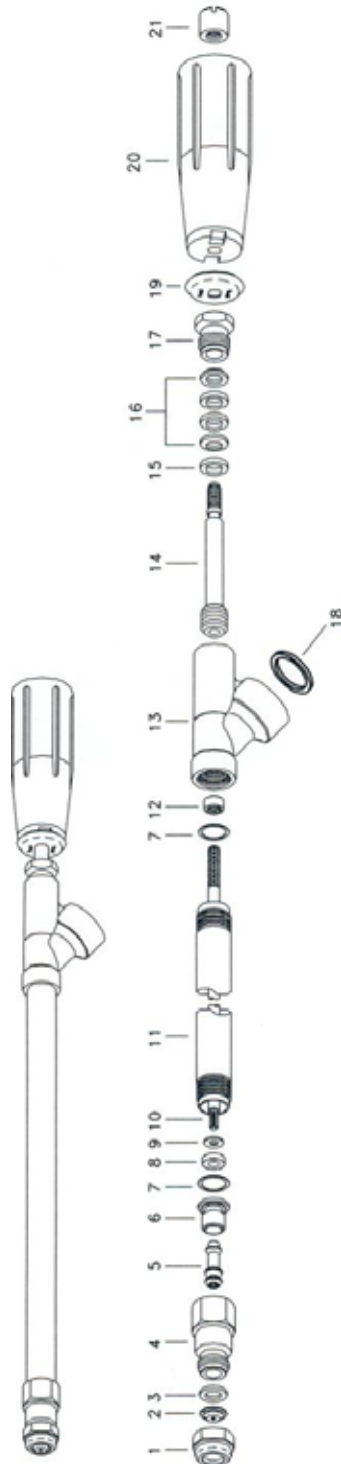
* Part is included in a complete assembly.

Decal List

<i>Ref #</i>	<i>Qty.</i>	<i>Part Number</i>	<i>Description</i>
88	2	DE46	Crop Care logo decal
89	1	DE39	Owner's manual warning decal
90	1	DEMT3980	Chemical warning decal

Spraying Systems® Spray Gun

Parts Breakdown(ref# 61)

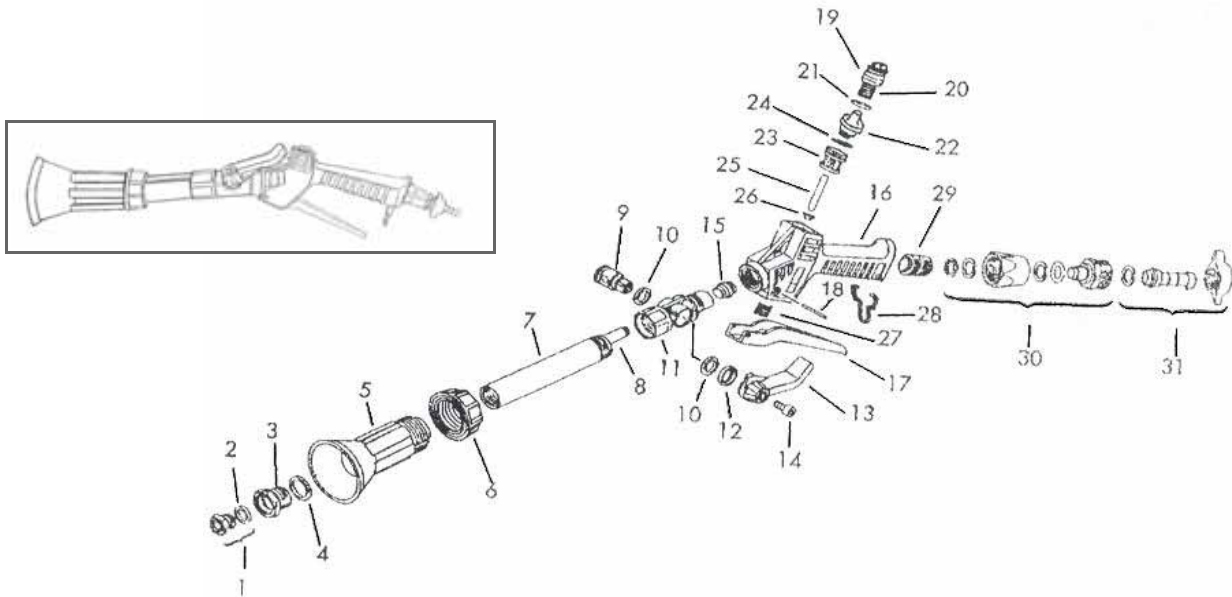


<i>Ref #</i>	<i>Qty</i>	<i>Part Number</i>	<i>Description</i>
1	1	CP1325	Brass cap
2	1	D6*	Hardened stainless orifice disc, #6
3	1	CP5871-BU	Buna-N tip gasket
4	1	CP5869	Brass spray housing
5	1	10516	Brass core body
6	1	CP5872	Brass guide sleeve
7	2	CP45197-NYB	Nylon gasket
8	1	CP5798-NY	Nylon seat plate
9	1	CP7985	Brass washer
10	1	CP6022	Brass stem
11	1	CP6021	Brass tubing
12	1	CP6618	Brass nut
13	1	CP5866-12/GH	Brass inlet body, garden hose
14	1	CP5882	Brass hand grip stud
15	1	CP5883	Brass packing washer
16	4	CP5809-LEA	Leather packing washer
17	1	CP5811	Brass packing screw
18	1	CP5808-POL	Polyethylene garden hose gasket
19	1	CP5884-INP	Steel-nickel plated hand grip collar
20	1	CP5994-2-NY	Nylon hand grip
21	1	CP5813	Brass hand grip nut
Kit	1	5838	Handle grip assembly (includes ref# 14,19,20,21)
Kit	1	PK-AB18-KIT	Spare parts kit (includes ref# 3,5,8,9)

*Hardened stainless steel orifice discs are available in other sizes.

Hypro[®] Pistol-Grip Spray Gun

Parts Breakdown(ref# 62)



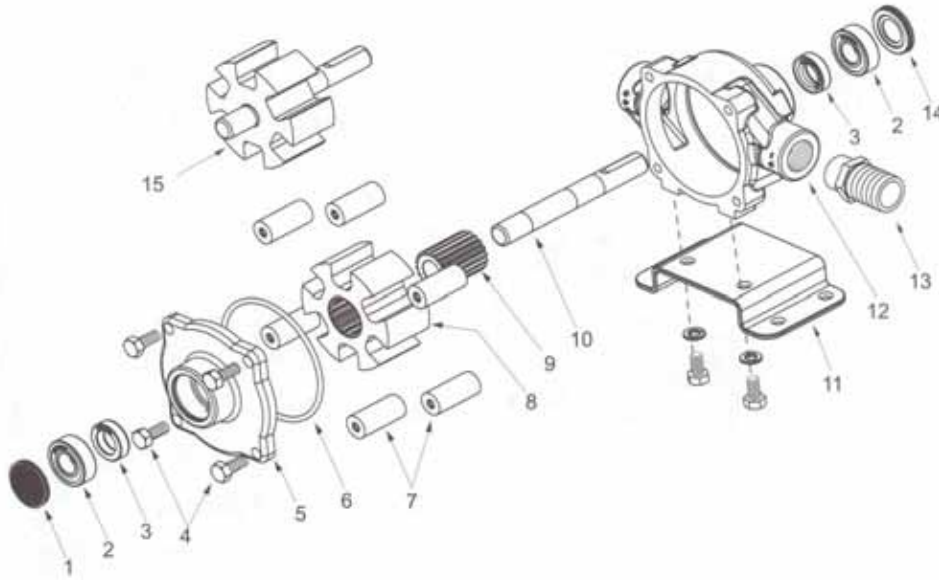
Ref. No	Qty. Req'd	Part Number	Description	Ref. No	Qty. Req'd	Part Number	Description
1	1	3385	Spray nozzles: 3385-2300, -3000, -3500, -4000, -4500, -5000, -5500, -6000, -7000	16	1	9920-29208-131	Gun body
2	1	N/A	O-ring	17*	1	9920-29902-8	Plastic Trigger
3	1	9920-261701-10	Nozzle holder	18	1	9920-291607-3	Pin
4*	1	9920-68602-10	O-ring	19	1	9920-291702-26	Plug
5*	1	9920-261707-2	Nozzle protector	20**	1	9920-291003-24	Spring
6	1	9920-26605-50	Locking ferrule	21**	1	9920-23602-37	O-ring
7	1	9920-261703-69	Barrel	22**	1	N/A separately	Seat
8	1	N/A	Stream straightener	23**	1	N/A separately	Valve retainer
9*	1	9920-261304-33	Valve	24**	1	9920-23602-36	O-ring
10*	2	9920-71602-6	O-ring	25	1	9920-231304-29	Pin
11	1	9920-26305-3	Valve body	26**	1	9920-23601-35	Gasket
12	1	9920-261506-14	Spacer	27	1	9920-231003-16	Spring
13*	1	9920-26902-6	Adjusting lever	28	1	9920-29507-10	Clip
14	1	9920-261902-20	Screw	29	1	9920-291101-1	Nipple
15	1	9920-26801-5	Ferrule insert	30	1	9920-261502-45	Swivel connection
				31	1	9920-162604-17	Hose barb, wing nut, gasket

***Gun Repair Kit # 3430-0460** includes: Ref # 4, 5, 9, 10, 13, 17, 20, 21, 22, 23, 24, 2

** **Trigger Valve Repair Kit # 3430-0460** includes: Ref # 20, 21, 22, 23, 24, 26

Hypro[®] 6500C, 6500N, 6500XL Pumps

Parts Breakdown(ref# 26)



<i>Ref. No</i>	<i>Qty. Req'd</i>	<i>Part Number</i>	<i>Description</i>
1	1	2300-0021	Bearing cover
2	2	2000-0010	Sealed ball bearing
3	2	2107-0002	Viton seal (stand.)
3	2	2102-0001	Buna-N seal (opt.)
4	4	2210-0004	Bolts
5	1	0200-6600C	Cast iron end plate w/ seal
5	1	0200-6600N	NI-resist. end plate w/ seal
5	1	0200-6600X	SilverCast end plate w/ seal
6	1	1720-0008	O-ring gasket for end plate
7	6	1005-0004	Super roller (stand.)
7	6	1002-0004	Polypropylene roller(opt.)
7	6	1052-0004	Buna-N roller (opt.)
7	6	1055-0004	Teflon roller (opt.)

<i>Ref. No</i>	<i>Qty. Req'd</i>	<i>Part Number</i>	<i>Description</i>
8	1	0401-6500P	Phenolic rotor (stand.)
9	1	1201-0018	Metal insert
10	1	0500-6600	Shaft
11	1 kit	3420-0023	Base kit includes: 1 base, 2 bolts, 2 washers
12	1	0100-6600C	Cast iron body w/ seal
12	1	0100-6600N	NI-resist. body w/ seal
12	1	0100-6600X	SilverCast body w/ seal
13	1	2404-0052	1" hose barb
14	1	2300-0023	Shaft bearing cover
15	1	N/A	Metal rotor assy. replaced by kit 3430-0621 (phenolic rotor assy.)

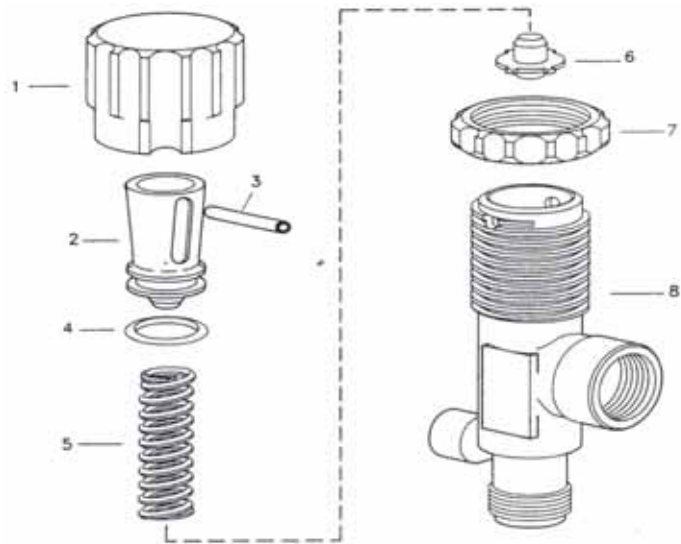
Repair parts kits:

3430-0038 Consists of: 6 pc. reference #7 super rollers, 1 pc. reference #6 o-ring, and 2 pc. reference #3 viton seals.

3430-00175 Consists of: 6 pc. reference #7 polypropylene rollers, 1 pc. reference #6 o-ring, and 2 pc. reference # 3 viton seals.

3430-0621 Consists of: 1 pc. reference #8 phenolic rotor, 1 pc. reference #9 metal insert, and 1 pc. reference #10 shaft.

23120 Relief Valve Parts Breakdown



<i>Ref #</i>	<i>Qty</i>	<i>Part Number</i>	<i>Description</i>
1	1	CP23122-NY	Nylon adjusting cap
2	1	CP23124-PP	Polypropylene spring retainer
3*	1	CP23126-302SS	Stainless retaining pin
4*	1	CP7717-15-EPR	EPDM rubber O-ring
5*	1	CP23127-302SS	Stainless spring
6	1	CP23125-PP	Polypropylene guide seat
7	1	CP23123-PP	Poly lock ring
8	1	CP23128-PP	Polypropylene body, 1/2" MNPT
*	1	PK-AB23120-KIT	Spare parts kit (includes ref # 3,4,5)

13230074 PTO Coupler Parts Breakdown



<i>Qty.</i>	<i>Part Number</i>	<i>Description</i>
1	1400-0024	Poly sleeve, quick coupler
1	1810-0037	Snap ring
1	1900-0160	Compression spring
3	3250-0030	Locking ball
1	34100038	Adapter kit
1	6031-0140	Warning decal

Contact Us

We desire to give you continuing service in the best manner possible. This includes listening to your comments, suggestions, and problems. We will do our best to answer all questions thoroughly and in a timely manner. We have trained sprayer technicians who are more than willing to listen to any questions or problems and help you to find a feasible solution.

Ordering Parts

We have a fully-stocked parts department that will be able to meet all of your parts needs. Our trained salespersons will ensure that all purchases are processed smoothly and shipped in a timely manner. Our hardware store also has a plumbing, electrical, automotive, paint, lawn & garden, and a power tool department. We are set up to ship our products via UPS and would be glad to work with you on the best shipping solution. If you desperately need a part, we are able ship UPS Next Day Air for many locations.

Note: When ordering parts, please provide our sales staff with the correct part number and description listed on the parts list. **To directly reach our parts department, please call (717) 738-7355 ext 2000.**

CROPCARETM

PaulB LLC

A Paul B Zimmerman Inc. Company

50 Woodcorner Road

Lititz PA 17543

Parts Dept (717) 738-7355 ext 2000

Corporate Office (717) 738-7350

Fax (717) 738-8061

www.CropCareEquipment.com

