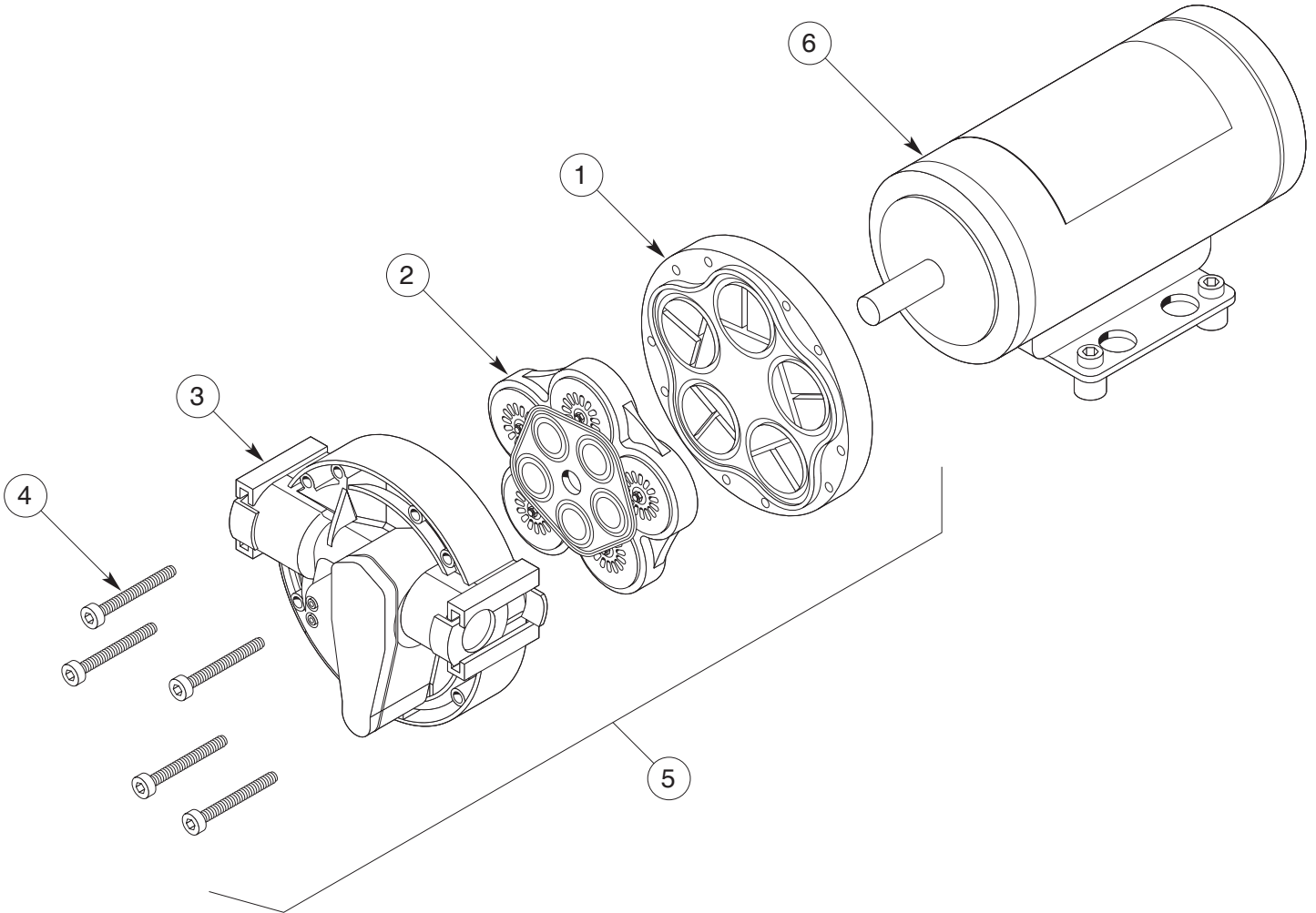


## 5537-1G1-63B Breakdown

Pump, Diaphragm 12V 5.3 GPM Demand 75 PSI Viton Santo, Heavy Duty Motor



Ref #	Qty.	Part Number	Description
1	1	LHA-5513-1E77	Lower housing
2	1	VHA-5513-1E77	Valve assembly
3	1	UHA-5513-1E77	Upper housing
4	1	11-133-100	Mounting bolts
5	1	5513-1X77	Complete pump head
6	1	M582-S	Motor, Remco 5500 12v