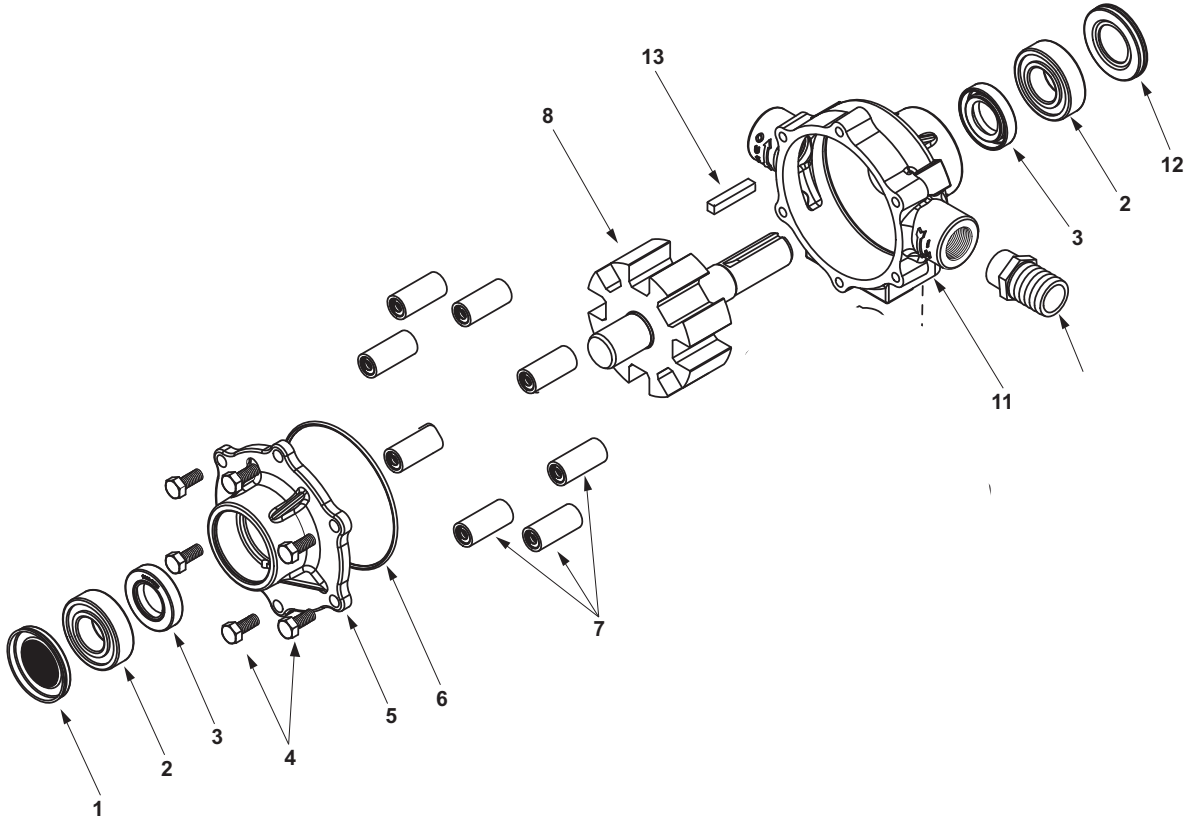


7560C, 7560N, 7560XL Breakdown

Pump, 8-Roller 15/16" Shaft 3/4" FPT ports, Cast Iron (7560C) Ni-Resist (7560N) SilverCast (7560XL)



Ref #	Qty.	Part Number	Description
1	1	23000020	Bearing Cover
2	2	20080001	Sealed Ball Bearing
3	2	21120003	Viton Seal (Standard)
3	2	21120001	Buna-N Seal (Optional)
4	6	22100004	Bolts
5	1	02047500C	Endplate (Cast Iron) with Seal
5	1	02047500N	Endplate (Ni-Resist) with Seal
5	1	02047500X	Endplate (SilverCast) with Seal
6	1	17200014	O-ring Gasket for Endplate
7	8	10050004	Super Roller (Standard)
7	8	10020004	Polypropylene Roller (Optional)
7	8	10550004	Teflon Roller (Optional)
8	1	03087560C	Rotor Assembly (Cast Iron only)
8	1	34300745	Rotor Assembly (Std. Ni-Resist & XL)
11	1	01047500C	Body (Cast Iron) with Seal
11	1	01047500N	Body (Ni-Resist) with Seal
11	1	01047500X	Body (SilverCast) with Seal
12	1	23000022	Shaft Bearing Cover
13	1	16100005	Key

Repair parts kits:

3430-0381 Consists of: 8 pc. ref. #7 (super rollers), 1 pc. ref. #6 (o-ring), and 2 pc. ref. #3 (viton seals).